

Heatcondens®

Condensate pump for indoor heat pumps

The Heatcondens® is perfect for the correct treatment of the condensate resulting from the defrosting process of the heat pump indoors.

The swell-like condensate first flows into the reservoir for treatment or collection. Thanks to the integrated filter technology, the delivery lifting unit is protected. The condensate is then conveyed to the desired location.



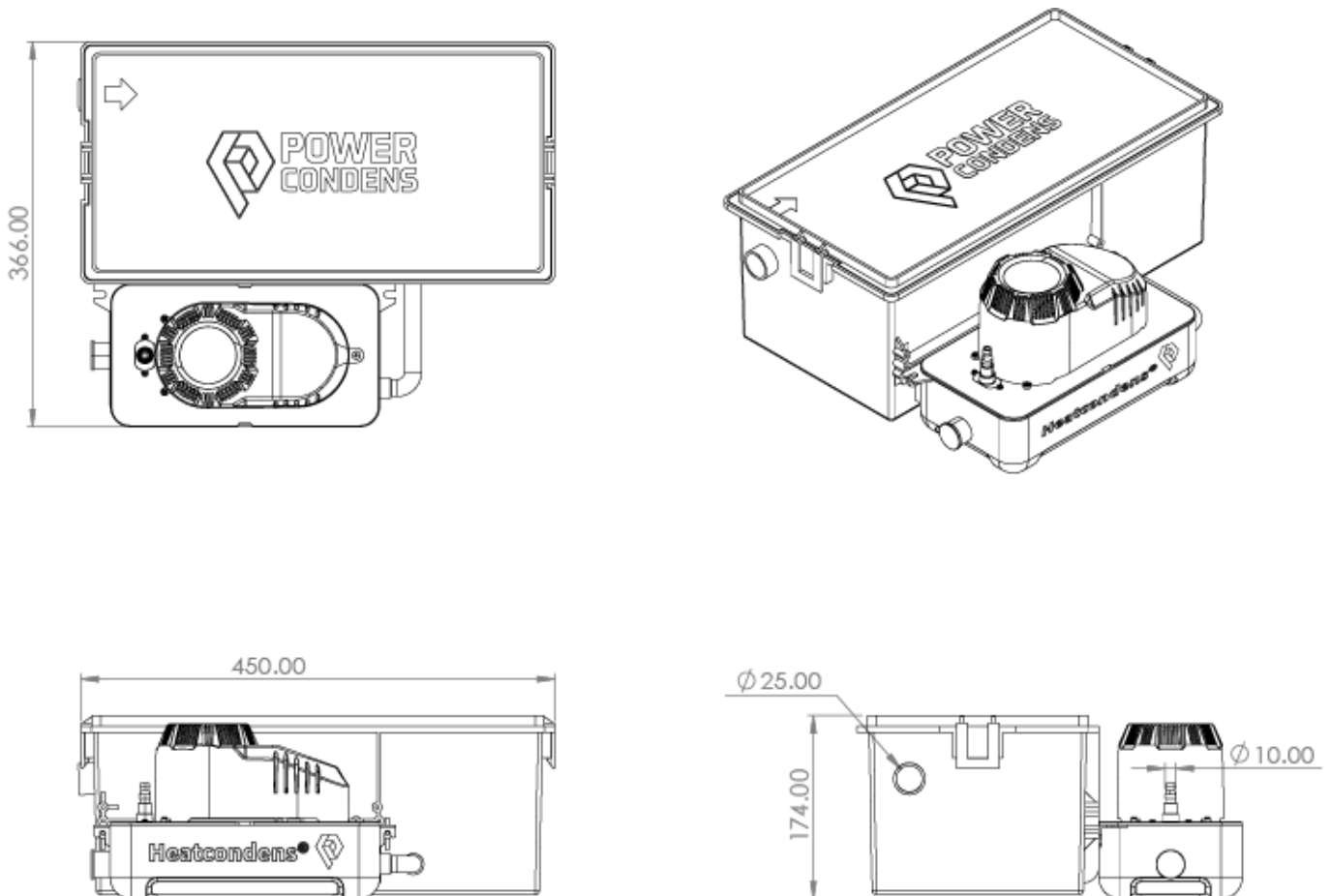
Function	Bonus	Operational area
Up to 10 l per swell	Condensate treatment with filter technology	Air-to-water heat pumps indoors
Up to 80 l per hour	Condensate delivery swell	

TECHNICAL DATA

Heatcondens®		Technical specifications
Condensate treatment	Number of filter baskets [pcs.]	1
	Filling quantity filter basket [gr]	200
Conveyor lifting unit	Supply voltage [V]	~ 230
	Frequency [Hz]	50-60
	Connected load / [W]	60
	Rated current [A]	1.2
	Safety switch	NC contact 4.0 A, potential-free
	Insulation class	B
	Protection class	IP 20
Connection cable	Mains cable: 2 m , plug T12 Alarm cable: 2 m, wire end ferrules COM / NC	
Operation	Condensate temperature [°C]	5 - 50
	Ambient temperature [°C]	5 - 40
	Maximum head [m]	4.5
	Maximum surge volume [l]	10
	Maximum flow rate [l/h]	80
	Volume at 1m distance [dBA]	50

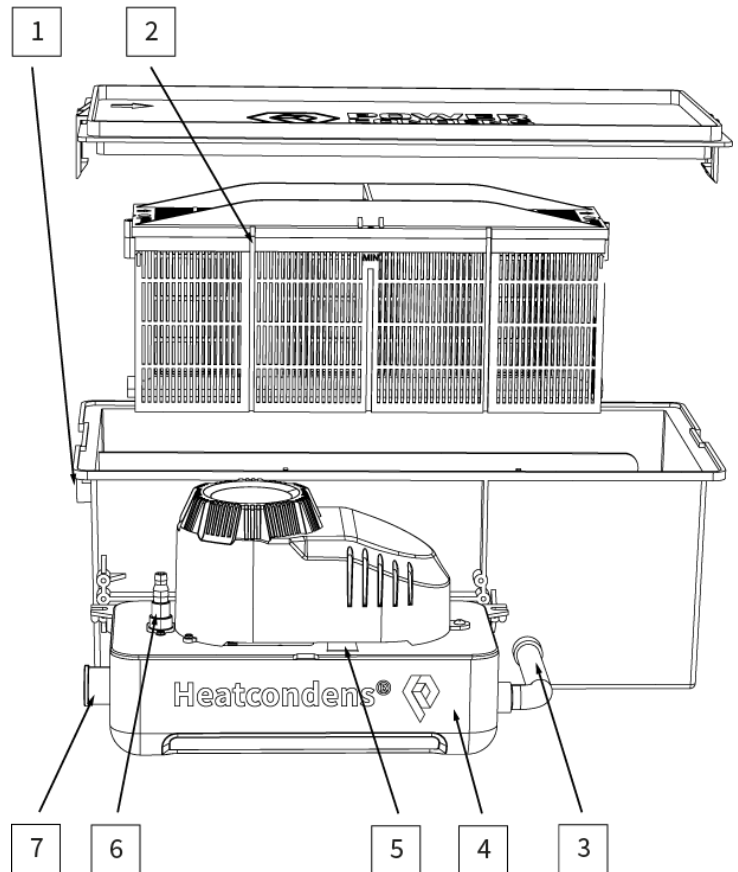
Heatcondens®		Technical specifications	
	Maintenance interval		12 months
Dimensions	Entrance height	[mm]	110
	Diameter inlet	[mm]	25
	Height exit	[mm]	110
	Diameter inlet	[mm]	10
Weight	Shipping weight	[kg]	6
	Operating weight min.	[kg]	10
	Operating weight max.	[kg]	20
Scope of delivery	Condensate treatment Heatcondens®, power cable ready to plug in (T12 plug fitted), alarm cable ready to plug in (wire end ferrules), drain hose 5m		

DIMENSIONS



STRUCTURE

- 1) Condensate inlet
- 2) Filter basket (condensate treatment)
- 3) Inspection window Condensate flow
- 4) Delivery lifting unit
- 5) Transport lock
- 6) Condensate drain
- 7) Maintenance procedure



ACCESSORIES

- Spiral inlet hose grey PVC (1 m): Art. No. 1001970.A
- Drain hose transparent PVC (10 m): Art. No. 1001383
- Drain hose transparent PVC (25 m): Art. No. 1001384
- Drain hose transparent PVC (50 m): Art. No. 1001385

SPARE PART

- Filter basket (1 pc.): Art. No. 1001978
- Non-return valve for delivery lifting unit (1 pc.): Art. No. 1001972